

creative living!



COOKING | 2010 EDITION

Fisher & Paykel

VENTILATION

DD36 – DOWNDRAFT

Perfect for island installations

Sits flush with cooktop in down position with simple one touch operation.



Infinitely adjustable control

Designed to provide convenient access to govern the blower speed up to 600cfm for effective and quiet operation.



Easy to clean

Dishwasher safe stainless steel mesh filters.



RH361SS – WALL MOUNT

High performance

Even the most intensive cooking is catered for with a high performance motor.



Easy to clean

Stylish filters with heavy duty mesh to trap all the grime and easily cleaned in the dishwasher.



Electronic controls

Independent switching option for speeds and lights and a delay timer to ensure residual steam & odors are removed.



Halogen lighting

Three halogen lights ensure perfect light dispersion over the entire cooking area.



DOWNDRAFT VENTILATION



DD36
Downdraft

Features:

Electronic control for light and speed	✓
Micromesh filters	2
Fan speed	unlimited up to 600 cfm

Finish:

Brushed Stainless Steel	✓
-------------------------	---

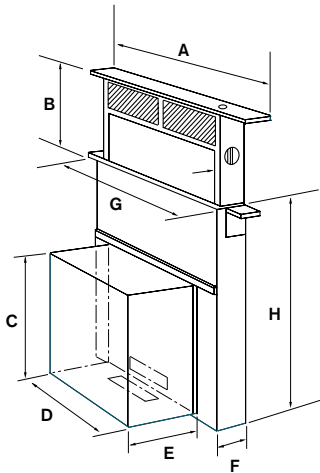
Full 1 Year Parts and Labor Warranty:

	✓
--	---

Product Dimensions (inches):

A Overall width	36
B Height of vent	8 ¼
C Height of cover	16
D Depth of cover	16
E Depth of cover	9 ⅜
F Depth of chassis	2 ⅞
G Width of chassis	33
H Height of chassis	26 ⅞

Product Dimensions



WALL MOUNTED VENTILATION



RH361SS
Wall Mount

Features:

Electronic control for light and speed	✓
Micromesh filters	3
20 Watt halogen lights	3
Fan speeds:	
1	370 cfm
2	470 cfm
3	600 cfm

Finish:

Brushed Stainless Steel	✓
-------------------------	---

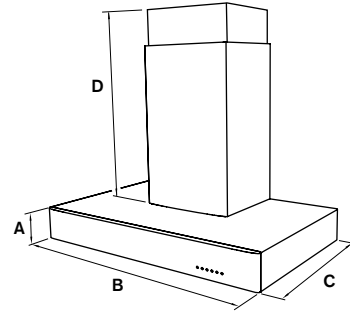
Full 1 Year Parts and Labor Warranty:

	✓
--	---

Product Dimensions (inches):

A Height of canopy	4 ¾
B Width of canopy	36
C Depth of canopy	22 ¼
D Height of flue	min 24 ⅞ – max 35 ¼

Product Dimensions



Important Notice of Disclaimer